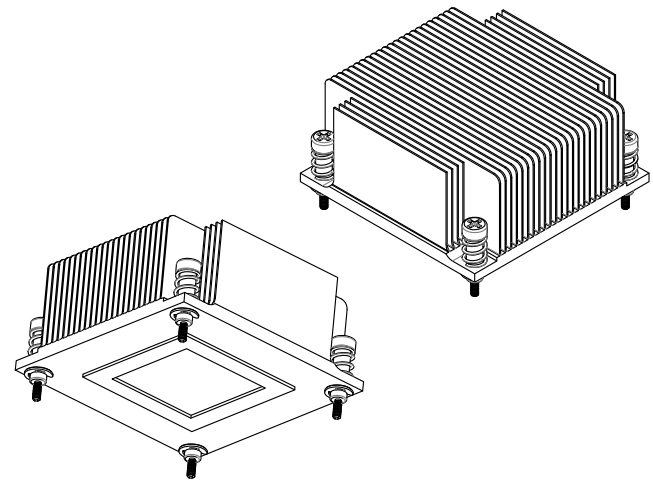
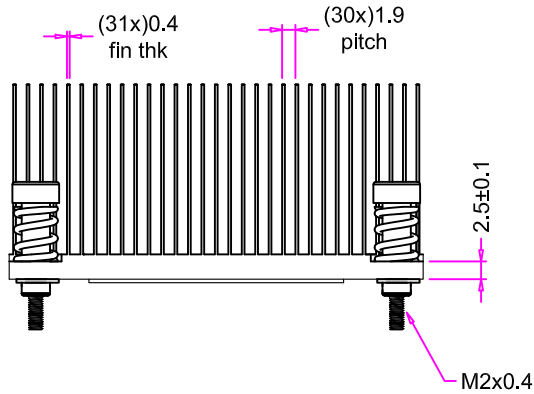
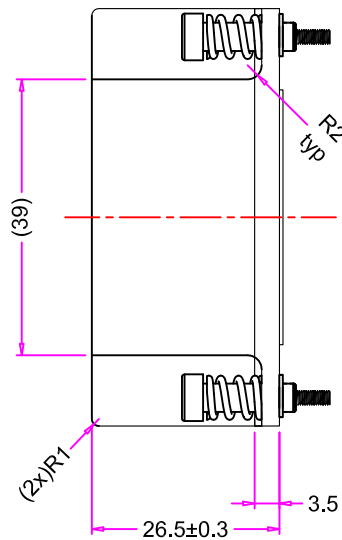
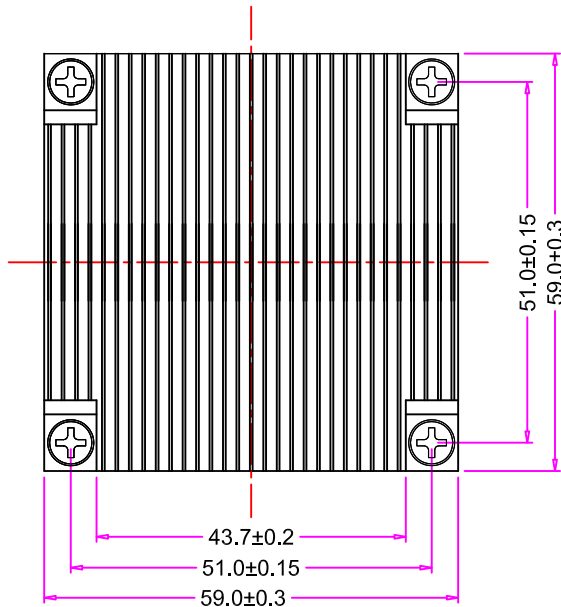
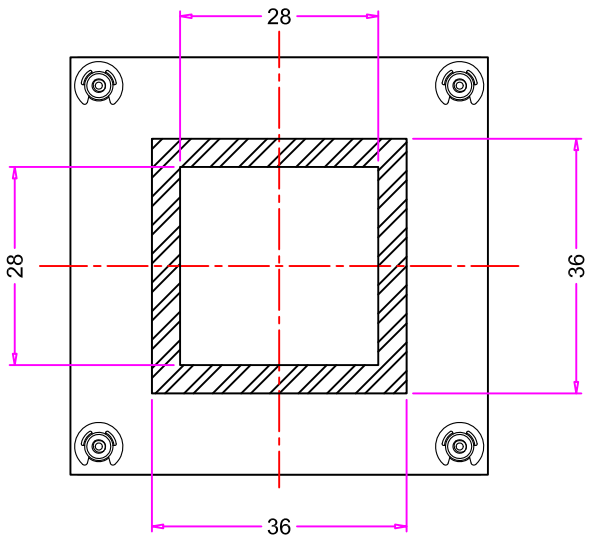


REV	DESCRIPTION	CHECKER	DATE
00	Initial Release	LANG	08 / 14 / 13



3D image is not for scale



Heatsink Bottom with Backplate Hidden

5	GASKET SPONGE, THK 0.5 mm	FOAM	1
4	C-RING	STEEL	4
3	HEATSINK, SKIVING FIN	COPPER 1100	1
2	SPRING	SWP	4
1	SCREW, HEATSINK, SEE PAGE 2	STEEL	4
ITEM#	DESCRIPTION	MATERIAL	QTY.

	NAME	DATE
DRAWN BY	Engr.	08/14/2013
CHECKED BY	LANG	08/14/2013
ENG. APPROVED		
MFG. APPROVED	-	-



DYNATRON CORPORATION

TOP MOTOR

TITLE: OEM 1U Passive Heatsink **T215**
(sample IL-105)
BOM & Overall Dimension Drawing

CONFIDENTIAL DOCUMENT

THIS DRAWING CONTAINS INFORMATION PROPRIETARY TO DYNATRON CORPORATION AND DYNAEON INDUSTRIAL CO., LTD. ANY REPRODUCTION, DISCLOSURE, OR USE OF THIS DRAWING IS EXPRESSLY PROHIBITED EXCEPT AS DYNATRON CORPORATION AND DYNAEON INDUSTRIAL CO., LTD. MAY OTHERWISE AGREE TO IN WRITING.

VIEW	
UNITS	MM

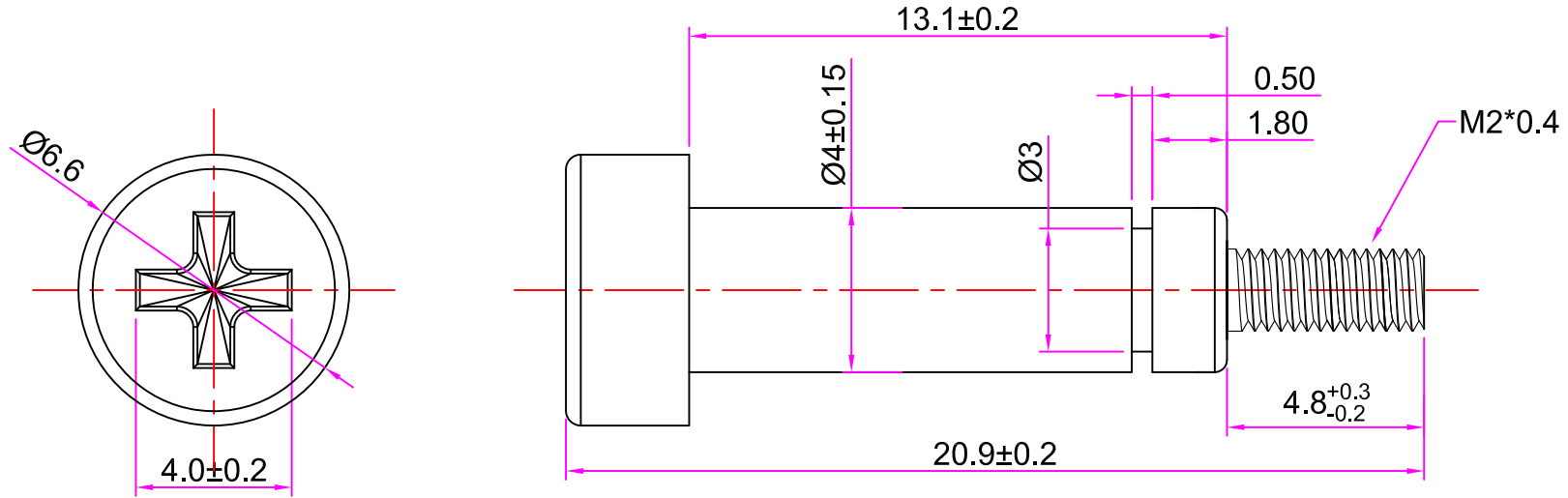
DWG. No:	DYN-BD-T215
----------	--------------------

REV.	00
------	-----------

CONFIDENTIAL DOCUMENT


THIS DRAWING CONTAINS INFORMATION PROPRIETARY TO DYNATRON CORPORATION AND DYNAEON INDUSTRIAL CO., LTD. ANY REPRODUCTION, DISCLOSURE, OR USE OF THIS DRAWING IS EXPRESSLY PROHIBITED EXCEPT AS DYNATRON CORPORATION AND DYNAEON INDUSTRIAL CO., LTD. MAY OTHERWISE AGREE TO IN WRITING.

REV	DESCRIPTION	CHECKER	DATE
00	INITIAL RELEASE	LANG	08/14/13



NOTES:

1. UNIT: MM
2. MATERIAL: HARDEN STEEL with ZINC PLATING
3. UNMARKED RADII 0.05

	DATE	NAME	 DYNATRON CORPORATION
DRAWN	08/14/13	-	
CHECKED	08/14/13	LANG	
ENG. APPR.			
MFG. APPR.			
G.A.			TITLE: T215 Heatsink Mounting Screw (sample IL-105)
COMMENTS:			
DWG. No:			DYN-SW-T215
			REV 00